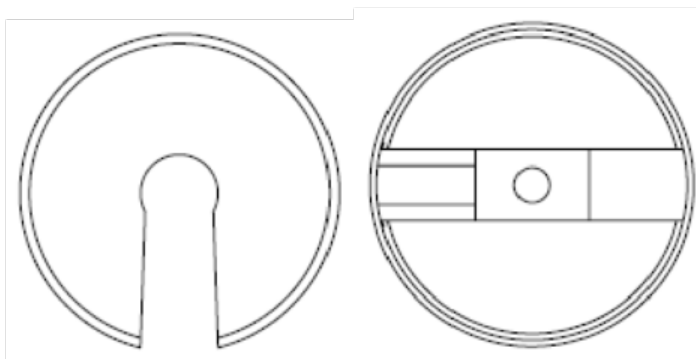


## Manual ITM-51-CU

### 1. Application/intended use

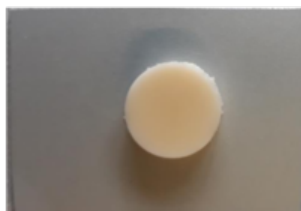
The ITM-51/ITM-51R is maintenance-free. However, it is recommended to check the calibration of the turbidity sensor once a year. For this check the ITM-51-CU calibration check tool is recommended. With the solid state reference the viability can be checked. If a calibration is recommended the ITM-51 should be shipped back to Anderson-Negele.

### 2. Scope of delivery



ITM-51-CU-cap

ITM-51-CU-bottom



ITM-51-CU reference plate

The reference plate is placed in the ITM-51-CU bottom piece and therefore protected. The reference plate can be removed and turned to top or bottom depending on the process connection of the used ITM-51.