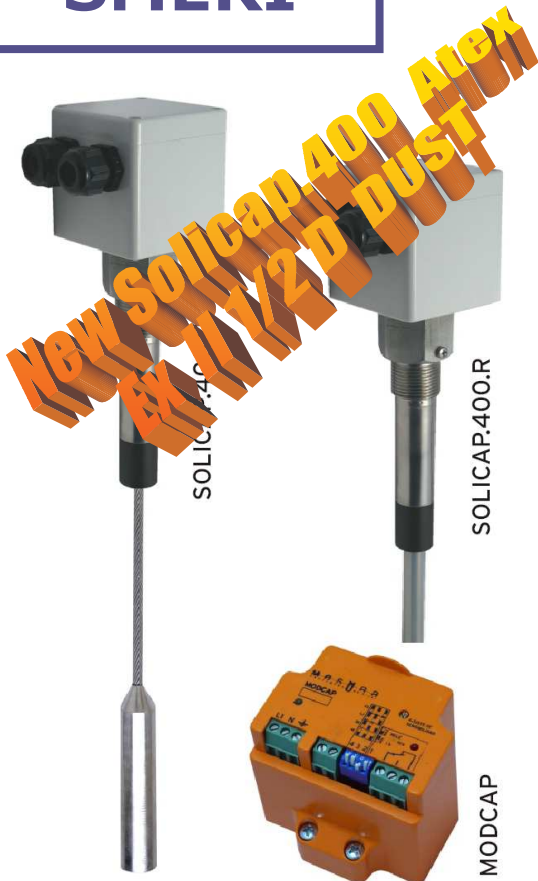


SMERI

SOLICAP.400 CAPACITANCE LEVEL LIMIT SWITCH



APPLICATIONS

Maximum and minimum level detection, in silos and tanks containing bulk solids.

- Animal feed
- Sand and gravel
- Cements
- Flours
- Mineral Products
- Lime
- Granulated fodder

ADVANTAGES

Without movable pieces, it does not suffer any worse. Easy to install, connecting module system, relay output, probes made in different lengths, power supply: VAC and VDC.

DESCRIPTION

SOLICAP.400 capacitance level limit switch, offers two different models: **SOLICAP.R** and **SOLICAP.C**.

-SOLICAP.R has a rigid steel probe covered by PTFE and can be used for minimum or laterally mounted.

-SOLICAP.C has a flexible steel probe covered by POLYPROPYLENE, with a stainless steel weight and its application is for maximum/minimum level.

Both incorporates a stainless steel insensible zone, to prevent condensation near the threaded boss and so reduces build-up and the danger of error switching.

SOLICAP.400 incorporate in the housing the **MODCAP** new connecting module. This module contains the electronic circuit with the connection terminals.

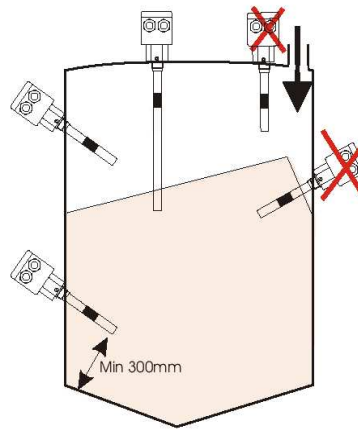
Using a multi turn trimmer, the sensibility can be adjusted.

Both models are mounted using a stainless steel 1" BSP process connection. In the housing there are two cable glands to make the connection easier.

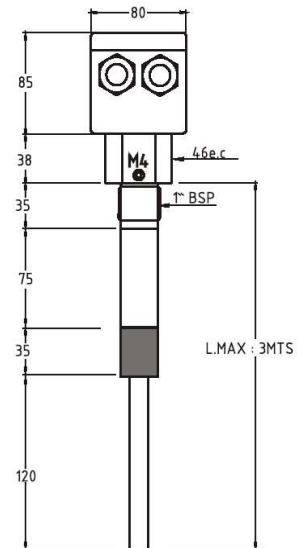


TECHNICAL DATA

- Power supply: 24, 110, 230 (Vac) or 12 to 35 Vdc
- Max. Power consumption: 1 VA
- Stainless steel 1" BSP process connection
- Power supply led and relay state
- Polycarbonate housing IP 65
- Environment temperature: -10 a 60 °C
- Temperature max. Product: 90 °C
- Cable Glands: 2 x M20
- Relay output: max 250 Vac 1 A
- Sensibility adjustment
- Protection to polarity changes in Vdc
- Maximum/ Minimum security adjustment
- Steel rigid probe covered by PTFE (SOLICAP.400.R) or flexible covered by POLYPROPYLENE (SOLICAP.400.C).



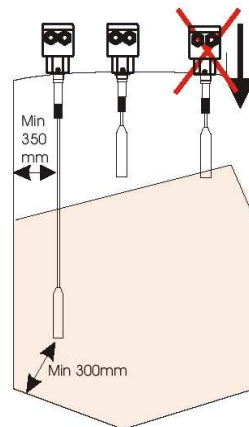
SOLICAP.400.R



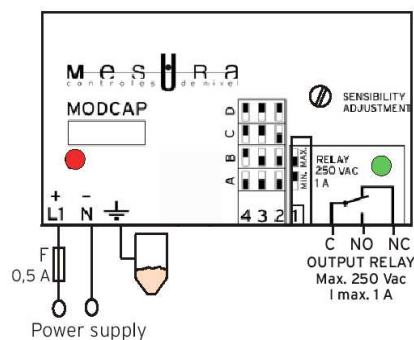
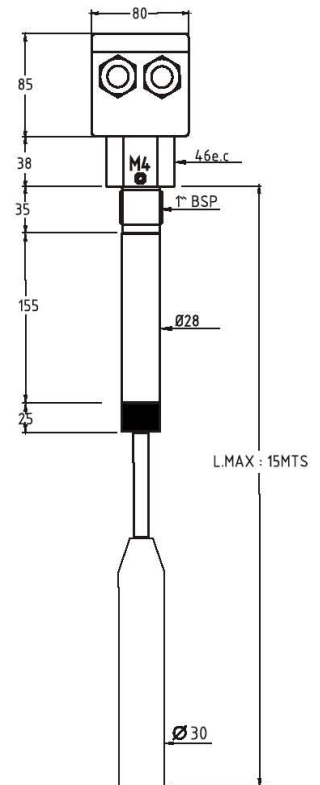
ADJUSTMENT

SOLICAP.400 capacitive levels can control a wide variety of products. It is necessary to make a simple adjustment to guaranty the correct operation.

In the MODCAP module there are the selectors and the sensibility adjustment, that let to adapt every level to the tank and to the product you want to control.



SOLICAP.400.C



MODCAP MODULE



SMERI s.r.l.
Via Mario Idiomi 3/13
20090 Assago MI
Tel. +39 02 539 8941
Fax +39 02 539 3521
E-mail: smeri@smeri.com
www.smeri.com

CT 1020