

This Quick Start Guide for the QuadraTherm[®] 640i/780i Thermal Mass Flow Meter gives easy set up and installation instructions. For complete simplified instructions, please download the QuadraTherm Instruction manual.

IMPORTANT! Before installing meter, follow the steps below

Step 1. Download Instruction Manual

To get technical information, download to the QuadraTherm 640i/780i Instruction Manual and the Smart Interface Portal (SIP) Software Manual at sierrainstruments.com/quadratherm-manual

Step 2. Download FREE Software — Get Apps

Download the most current Smart Interface Portal (SIP) product software at sierrainstruments.com/640i-780i-SIP Use the included 9-pin, RS-232 cable with fly leads to connect the meter to your computer

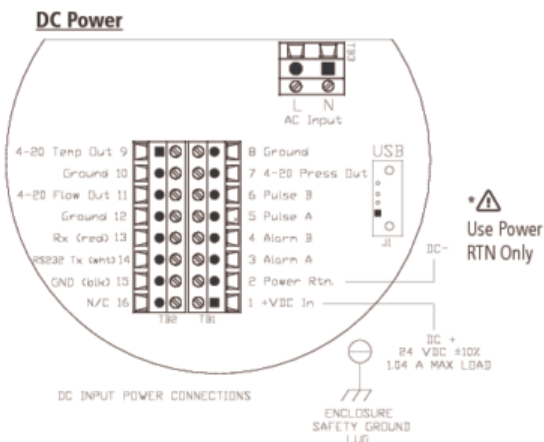
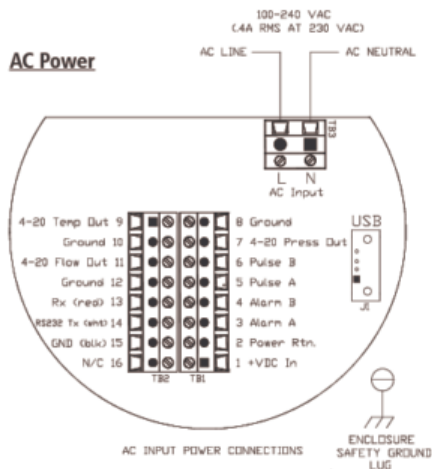
Important. If you do not have an internet connection, you must download the software to a USB stick or other storage device.

Safety

1. Apply power only after reviewing the wiring diagrams in the "Installation and Wiring" section below or in Chapter 2 of the Instruction Manual. Apply gas flow only after checking plumbing connections for leaks.

Installation and Wiring

1. Install the meter in the pipe. Make sure you have enough straight run pipe for your installation. See Figure 2-1 in Chapter 2 of the Instruction Manual for the straight run requirements.
2. Connect AC or DC power per the meter configuration received. See the diagrams below or Figures 2-5, 2-6, and 2-7 in Chapter 2 in the Instruction Manual for more information.



⚠ Use Power RTN Only

⚠ This is not a Loop powered device. • Do not apply power to 4-20 mA Loops. • 4-20 mA Loops are active (non-isolated)

3. After a short start-up routine, the meter will begin displaying measured variables using the setup as supplied to the factory from your application data sheet. You will access this data via the display (if ordered) or the Smart Interface Program (SIP) if connected and installed on your computer. The meter will scroll through three screens: flow and temperature, pressure (if ordered), and totalizer. See Chapter 3: Operating & Programming in your Instruction Manual.
4. Connect the analog outputs (if you are going to use them). The meter comes with three non-isolated outputs for flow, temperature, and pressure.